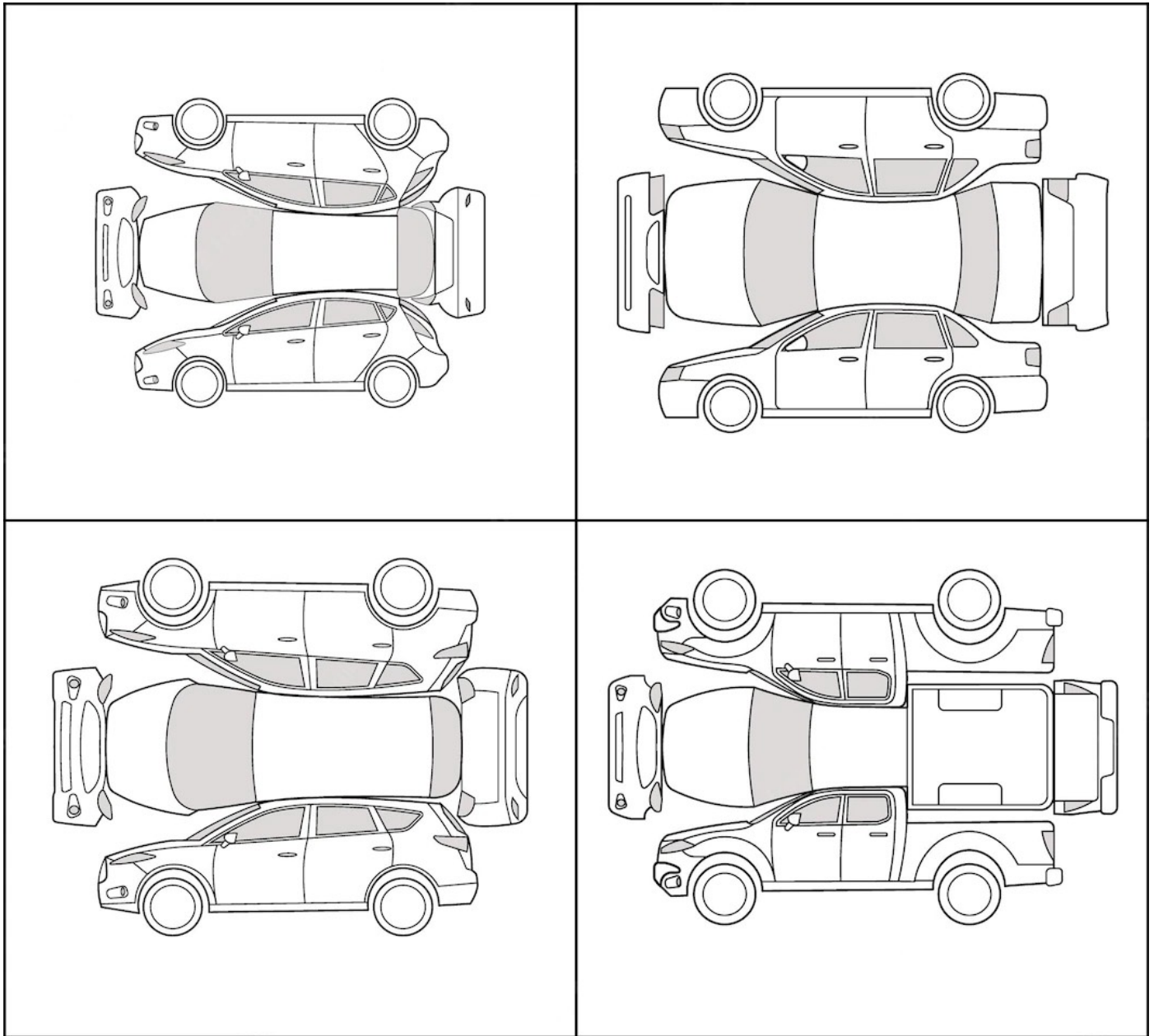


Vehicle Inspection & Sign Off Form

Date: _____ Vehicle: _____



I have fully inspected the vehicle and I am completely satisfied with the service and results provided. I accept full responsibility of any further issues, or defects found after the vehicle leaves the premises from today's date,

Sign: _____